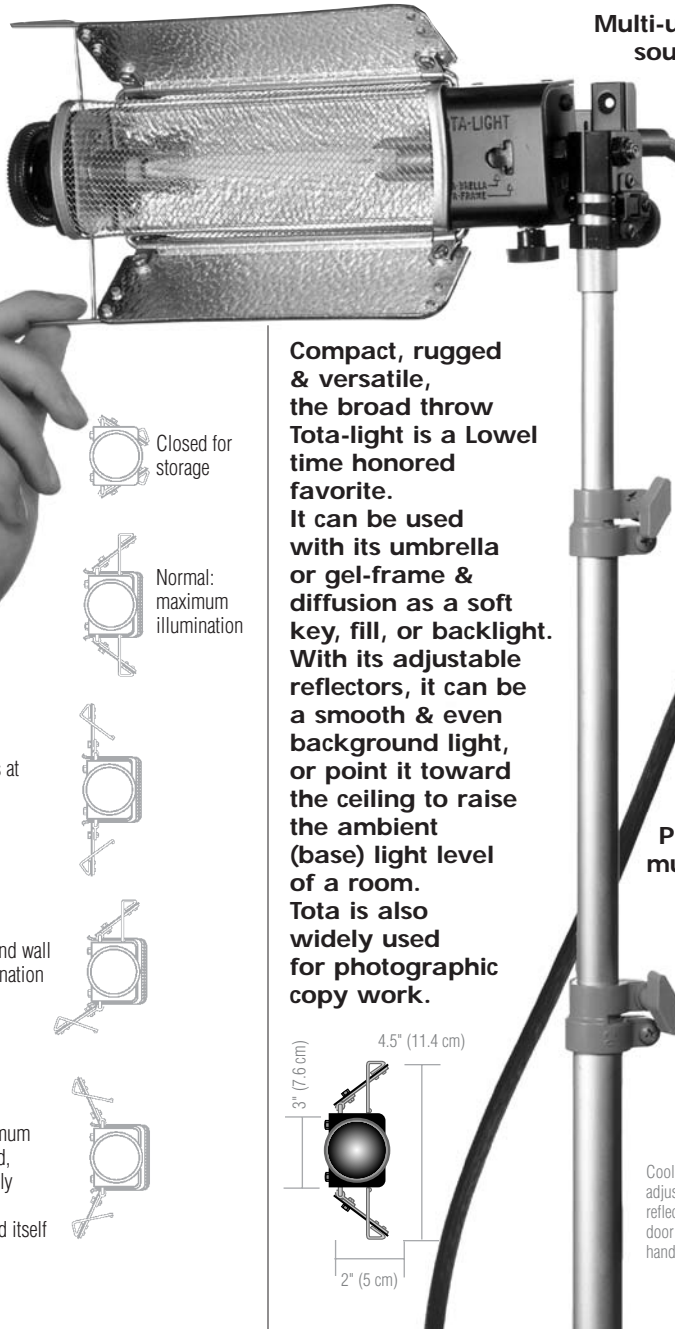


Broad Throw — 120, 220/240v; 300-800w



Multi-use, tungsten halogen source.

Watts: 750 & 500 at 120v, 800 at 220/240v.

Adjustable reflecting doors can illuminate four walls evenly from a corner or compensate for light fall-off on vertical surfaces lit from above or below.

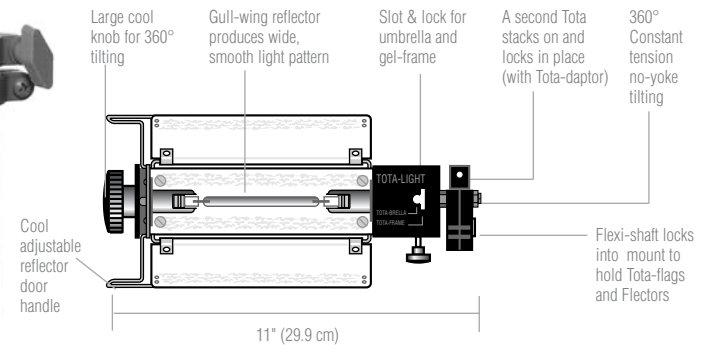
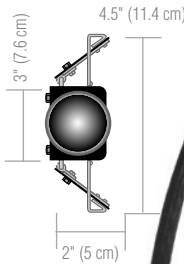
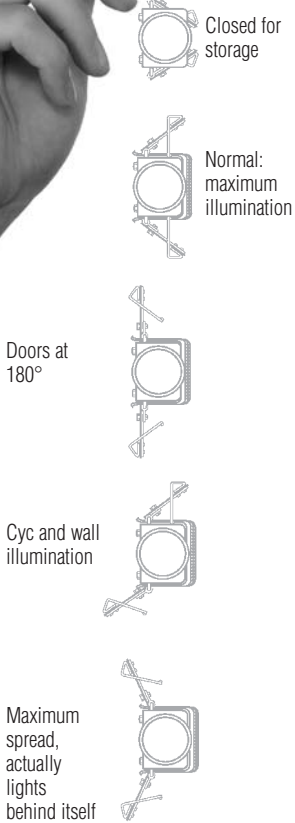
360° constant tension no-yoke tilting. Large, cool knobs.

Closes compactly for storage & travel.

Never operate with doors closed beyond notched safety stop.

Protective front screen must always be used.

Compact, rugged & versatile, the broad throw Tota-light is a Lowell time honored favorite. It can be used with its umbrella or gel-frame & diffusion as a soft key, fill, or backlight. With its adjustable reflectors, it can be a smooth & even background light, or point it toward the ceiling to raise the ambient (base) light level of a room. Tota is also widely used for photographic copy work.



Technical Data

Size closed: 2" x 3" x 11" (5 x 7.6 x 27.9 cm)
Weight less cable: 1.3 lbs (595 g)
With 16' cable: 2.25 lbs (1.02 kg)
Max. wattage: 750w at 120v, 800w at 220/240v
Max. amperage: 6.25 at 120v
Beam control: door angle provides vertical beam control
Fits on: studs 5/8" (1.59 cm) or smaller
Materials: primarily aluminum alloy
Cable: 16' (4.88 m) #18/3 wire
Switch: in-line
U.S. Patent: 3852582

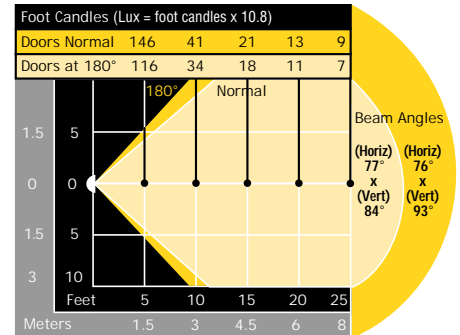
Lamp/Beam Data

Lowel Code	Volts	Watts	*K	Avg Life	Foot Candles (Lux) at 10' (3m)	
					doors norm	doors 180°
EZH	120	300	2900	2000 hr	14 (149)	11 (122)
FDN	120	500	3200	400 hr	27 (295)	22 (235)
FCZ	120	500	3000	2600 hr	26 (280)	19 (200)
FCM/HIR* (FWM)	120	650	3200	400 hr	60 (640)	45 (485)
EMD	120	750	3200	400 hr	41 (445)	34 (365)
EMF	220/240	800	3200	250 hr	45 (480)	34 (365)

Tota and V lamps are not interchangeable. Tota lamps are frosted except FCM/HIR *G.E. Watt Miser™, also known as FWM, has virtually same output as 1000w lamp (see manufacturers specifications).

Performance

With 120v, 750w, 3200°K, EMD lamp



Beam angles—points at which intensity drops to 50% of maximum